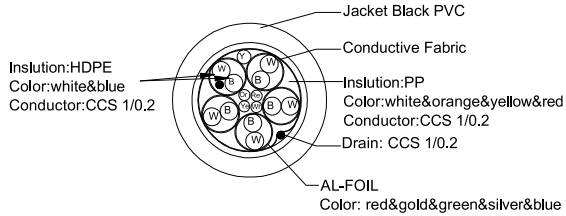
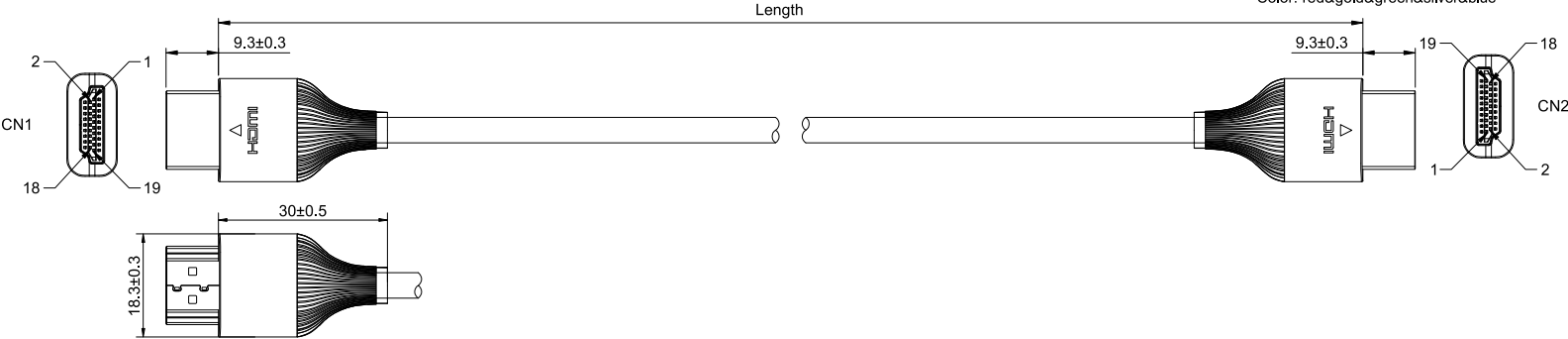



1	2	3	4	5	6	7	8	9	10	11	12	13	14																																																				
Artikel-Nr. / Item No.		Beschreibung / Description			Länge / Length		Kabelquerschnitt / Wire cross section  <p>Inslution:HDPE Color:white&blue Conductor:CCS 1/0.2</p> <p>Jacket Black PVC Conductive Fabric Inslution:PP Color:white&orange&yellow&red Conductor:CCS 1/0.2 Drain: CCS 1/0.2 AL-FOIL Color: red&gold&green&silver&blue</p>				Anschlussdiagramm / Wiring diagram <table border="1"> <thead> <tr> <th>CN1</th><th>WIRE COLOR</th><th>CN2</th></tr> </thead> <tbody> <tr><td>1</td><td>RED</td><td>BLUE</td></tr> <tr><td>3</td><td>WHITE</td><td>WHITE</td></tr> <tr><td>4</td><td>SLIVER</td><td>BLUE</td></tr> <tr><td>6</td><td>WHITE</td><td>WHITE</td></tr> <tr><td>7</td><td>GREEN</td><td>BLUE</td></tr> <tr><td>9</td><td>WHITE</td><td>WHITE</td></tr> <tr><td>10</td><td>GOLD</td><td>BLUE</td></tr> <tr><td>12</td><td>WHITE</td><td>WHITE</td></tr> <tr><td>13</td><td>WHITE</td><td></td></tr> <tr><td>15</td><td>RED</td><td></td></tr> <tr><td>14</td><td>BLUE</td><td>BLUE</td></tr> <tr><td>19</td><td>BLUE WHITE</td><td>WHITE</td></tr> <tr><td>17</td><td>DRAIN</td><td></td></tr> <tr><td>16</td><td>YELLOW</td><td></td></tr> <tr><td>18</td><td>ORANGE</td><td></td></tr> <tr><td>SHELL</td><td>DRAIN</td><td>SHELL</td></tr> </tbody> </table>				CN1	WIRE COLOR	CN2	1	RED	BLUE	3	WHITE	WHITE	4	SLIVER	BLUE	6	WHITE	WHITE	7	GREEN	BLUE	9	WHITE	WHITE	10	GOLD	BLUE	12	WHITE	WHITE	13	WHITE		15	RED		14	BLUE	BLUE	19	BLUE WHITE	WHITE	17	DRAIN		16	YELLOW		18	ORANGE		SHELL	DRAIN	SHELL
CN1	WIRE COLOR	CN2																																																															
1	RED	BLUE																																																															
3	WHITE	WHITE																																																															
4	SLIVER	BLUE																																																															
6	WHITE	WHITE																																																															
7	GREEN	BLUE																																																															
9	WHITE	WHITE																																																															
10	GOLD	BLUE																																																															
12	WHITE	WHITE																																																															
13	WHITE																																																																
15	RED																																																																
14	BLUE	BLUE																																																															
19	BLUE WHITE	WHITE																																																															
17	DRAIN																																																																
16	YELLOW																																																																
18	ORANGE																																																																
SHELL	DRAIN	SHELL																																																															
A	75292	HDMI 2.0 Kabel Slim 0050 0,5m sw	500 ± 50 mm																																																														
	75293	HDMI 2.0 Kabel Slim 0100 1,0m sw	1000 ± 50 mm																																																														
	75294	HDMI 2.0 Kabel Slim 0200 2,0m sw	2000 ± 50 mm																																																														
	75295	HDMI 2.0 Kabel Slim 0300 3,0m sw	3000 ± 100 mm																																																														
B	75296	HDMI 2.0 Kabel Slim 0500 5,0m sw	5000 ± 100 mm																																																														
																																																																	

E	F	G	H
		<p>Slim High Speed HDMI™-Kabel mit Ethernet</p> <ul style="list-style-type: none"> - Bildübertragung mit Ultra HD bei bis zu 4K @ 60 Hz (abwärtskompatibel) und Datenrate von bis zu 18 Gbit/s - Ultraslim-Design mit kurzem Stecker und Knickschutz sowie kleinem Biegeradius - integrierter Ethernetkanal (HEC) - Die CEC-Funktion (Consumer Electronics Control) schafft flexible Bedienbarkeit über nur eine Fernbedienung - Unterstützt 3D, HDR (High Dynamic Range) und HDCP 2.2 - Unterstützt eARC (Enhanced Audio Return Channel) und ARC (Audio Return Channel) <p>Anschlüsse: 2 x HDMI™-Stecker (Typ A) (2.0) Anschluss Gehäusematerial: PE Anschluss, Kontaktmaterial: vergoldet Kabeltyp: Rundkabel Innenleiter, Material: CCS Durchmesser, Kabelmantel: 3,5 mm Schirmung (Typ 1, Typ 2): Folie (Aluminium) Unterstützte Videostandards: HDR (High Dynamic Range) HDMI Ethernet Channel (HEC) 3D, HDCP 2.2 Consumer Electronics Control (CEC) Unterstützte Audiostandards: Enhanced Audio Return Channel (eARC) Audio Return Channel (ARC)</p>	<p>Slim HDMI™ High Speed Cable with Ethernet</p> <ul style="list-style-type: none"> - Image transmission with Ultra HD at up to 4K @ 60 Hz (backwards compatible) and data rate of up to 18 Gbit/s - Ultra-slim design with short plug and bend protection as well as small bending radius - Integrated Ethernet channel (HEC) - The CEC (Consumer Electronics Control) function enables flexible operation with just one remote control - Supports 3D, HDR (High Dynamic Range) and HDCP 2.2 - Supports eARC (Enhanced Audio Return Channel) and ARC (Audio Return Channel) <p>Connectors: 2 x HDMI™ plug (type A) (2.0) Connectors, housing material: PE Connectors, contact material: gold-plated Cable Type: Round cable Inner conductor, material: CCS Diameter, cable sheath: 3.5 mm Shielding (Type 1, Type 2): Foil (aluminium) Supported video standards: HDR (High Dynamic Range) HDMI Ethernet Channel (HEC) 3D, HDCP 2.2 Consumer Electronics Control (CEC) Supported audio standards: Enhanced Audio Return Channel (eARC) Audio Return Channel (ARC)</p>

Änderungen			Datum	Name	Bezeichnung	Blatt
Datum	Name	gez.:	11.03.2025	fw	HDMI 2.0 Kabel Slim XXXX X,Xm sw	1
		gepr.:	11.03.2025	fw		
		Norm:			Zeichnungs-Nr.:	von
Änderungen vorbehalten / Subject to change					75292, 75293, 75294, 75295, 75296	1

